



FIRESTOP CENTRE

Authorised New Zealand Distributor
Ph (09) 483 4000 www.firestopcentre.co.nz

AGNI-Wrap in 2 x 13mm Plasterboard Wall or
116mm Concrete Wall
20mm PVC-U Pipe
Max FRR -/120/120

Step-by-step installation instructions:

1. Ensure the aperture is free from dust and debris.
2. Install 1x layer of AGNI-Wrap around the pipe allowing a 10mm overlap.
3. Fix AGNI-Wrap with an AGNI-Strap at mid-width.
4. Recess within the annular gap and flush with the surface of the wall.
5. Fill annular gap with AGNI-Seal to a depth of 26mm i.e. full depth of plasterboard lining.



System ID# FC832

Technical Information

Substrate	<ul style="list-style-type: none"> • 2x 13mm FR plasterboard-lined wall with 64mm steel framing (uninsulated) • ≥116mm concrete wall
Service type	DN 20mm PVC-U pipe
Size	Inner diameter (ID): 23mm Outer diameter (OD): 26.5mm Thickness (T): 1.5mm
AGNI-Wrap layers	1
Annular gap	Min: 5mm Max: 14.5mm
AGNI-Products	AGNI-Seal, AGNI-Wrap
Protection installation	Symmetrical

Compliance Information

Standards	AS1530.4-2014, AS4072.1-2005
FRR/FRL	-/120/120
Reference	RIRF24019 (AP-051FCC)

Disclaimer

Agnitek reserves the right to modify product specifications without prior notice due to its ongoing research, development & certification programme. The information in this document is provided in good faith and is intended for guidance purposes only. Any accompanying drawings are solely for illustrative purposes. Since Agnitek cannot oversee installation methods or ensure site conditions, no warranties, expressed or implied, are intended regarding the products' actual performance. We do not accept liability for any loss, damage, or injury from using this information. Please take a look at the test reports displayed on a relevant AGNI-System webpage for all compliance specifics.



8 Clare St Bayswater
VIC 3153, AUSTRALIA
www.agnitek.com.au

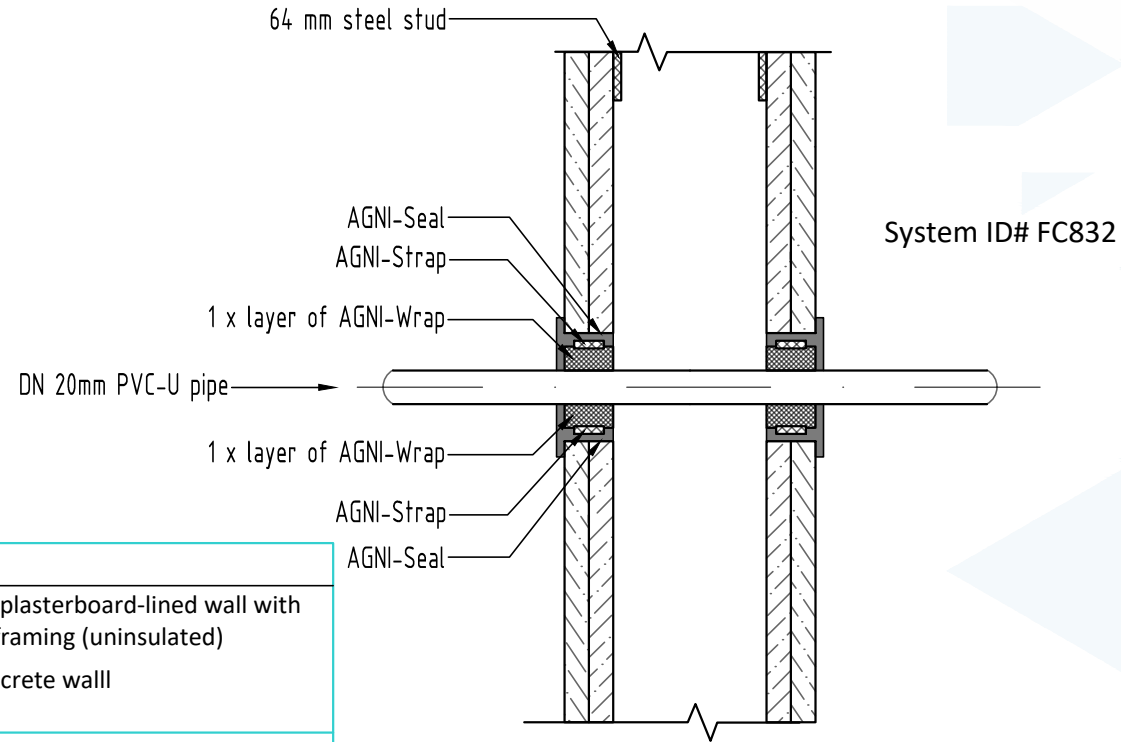
Date 20.06.2024



FIRESTOP CENTRE

Authorised New Zealand Distributor
Ph (09) 483 4000 www.firestopcentre.co.nz

AGNI-Wrap in 2 x 13mm Plasterboard Wall or 116mm Concrete Wall 20mm PVC-U Pipe Max FRR -/120/120



Technical Information

Substrate	<ul style="list-style-type: none"> • 2x 13mm FR plasterboard-lined wall with 64mm steel framing (uninsulated) • ≥116mm concrete wall
Service type	DN 20mm PVC-U pipe
Size	Inner diameter (ID): 23mm Outer diameter (OD): 26.5mm Thickness (T): 1.5mm
AGNI-Wrap layers	1
Annular gap	Min: 5mm Max: 14.5mm
AGNI-Products	AGNI-Seal, AGNI-Wrap
Protection installation	Symmetrical

Compliance Information

Standards	AS1530.4-2014, AS4072.1-2005
FRR/FRL	-/120/120
Reference	PF24019



Agnitek
FIRE RATED TECHNOLOGY

8 Clare St Bayswater
VIC 3153, AUSTRALIA
www.agnitek.com.au

Disclaimer
Agnitek reserves the right to modify product specifications without prior notice due to its ongoing research, development & certification programme. The information in this document is provided in good faith and is intended for guidance purposes only. Any accompanying drawings are solely for illustrative purposes. Since Agnitek cannot oversee installation methods or ensure site conditions, no warranties, expressed or implied, are intended regarding the products' actual performance. We do not accept liability for any loss, damage, or injury from using this information. Please take a look at the test reports displayed on a relevant AGNI-System webpage for all compliance specifics.

Date 20.06.2024